


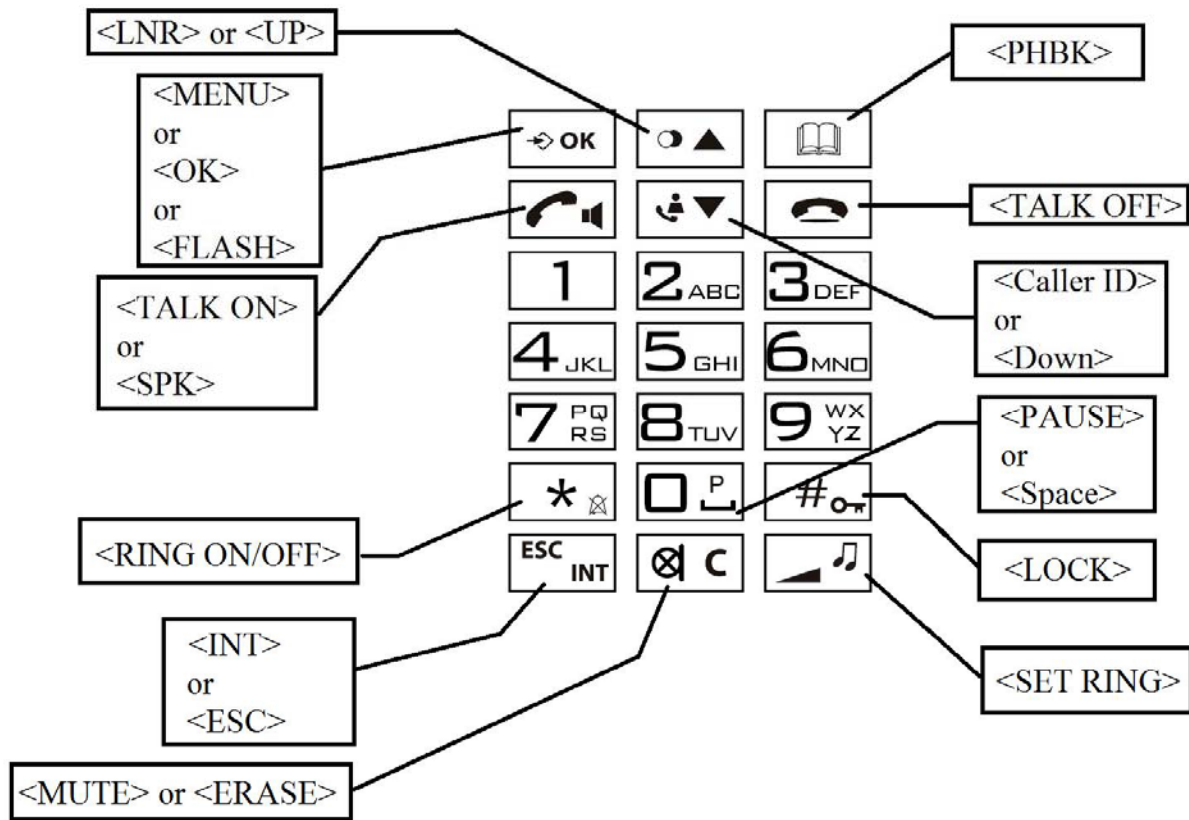
	<b>CAUTION</b> RISK OF ELECTRIC SHOCK, DO NOT OPEN	
<p>Caution: To reduce the risk of electric shock do not open this device, there are not serviceable parts for costumers. Please refer any maintenance or repair to qualified personnel.</p>		
	<p>This sign means the existence of dangerous voltage at the inside of the unit, which states a risk of electric shock.</p>	
	<p>This sign means that there are important instructions of operation and handling in the manual that comes with this device.</p>	

**NOTE**

This unit may be submitted to changes in specifications, characteristics and/or operation without prior notice to the user, in order to continue improving and developing its technology.

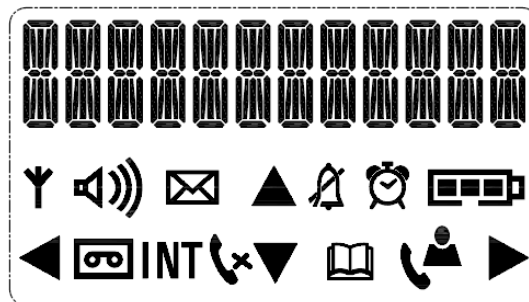
# 1. GENERAL

## 1.1 Handset Key Layout



## 1.2 Handset LCD and Icons

1 line 12 digits + 1 lines icon (VA 32 x 18 mm)



## 1.3 Battery Low Indication

When the battery is empty, the handset no longer carries out operations. When a battery is completely empty and you have put the handset on the base unit for a short period of time, the Battery symbol will appear to be fully charged but this is actually not the case. The battery capacity will decrease rapidly.

• Full battery

• Empty battery

When you are in the middle of a conversation and the battery is almost empty, place the handset on the

base unit to charge.

## 1.4 Out of Range Warning

If the handset is out of range of the base unit, a warning signal will sound. [SEARCHING] appears on the display and the [Y] symbol blinks on the display. Move closer to the base unit As soon as you are back within range of the base unit, a signal sounds and the [Y] symbol stops blinking.

## 2 OPERATION

### 2.1 Navigating the Menu

It has a menu system which is easy to use. Each menu leads to a list of options. To enter the menu, press the <MENU> button. Use the <▲> or <▼> button to scroll to the menu option you want. Press <OK> button to select further options or to confirm the setting displayed. The arrows on the display and shows the possible scroll direction in the menu. To go back in the menu press the <ESC> button.

### 2.2 Menu Table

3	CALL LOG	3.1	RECEIVED	3.1.1	ADD TO PB?	
				3.1.2	DELETE?	
				3.1.3	DELETE ALL?	
		3.2	DIALED	3.2.1	ADD TO PB?	
				3.2.2	DELETE?	
				3.2.3	DELETE ALL?	
4	Phonebook	4.1	LIST			
		4.2	NEW ENTRY	4.2.1	NAME	
				4.2.2	NUMBER	
				4.2.3	RING	
		4.3	EDIT RECORD			
		4.4	DEL RECORD			
		4.5	DELETE ALL			
		4.6	MEM STATUS	4.6.1	USED / TOTAL	
5	BS Setting	5.1	DELETE HS			
		5.2	DIAL MODE		TONE	
					PULSE	
		5.3	FLASH TIME		100	
					300	
		5.4	MODIFY PIN			
		5.5	NEMO		ON	
					OFF	
		5.6	BS DEFAULT			
6	HS Setting	6.1	ALARM		ON	SNOOZE
					OFF	
		6.2	RING SETUP	6.2.1	EXT RING	

				6.2.2	INT RING	
				6.2.3	VOLUME	
		6.3	TONE SETUP	6.3.1	KEY TONE	ON / OFF
				6.3.2	BATTERY LOW	ON / OFF
				6.3.3	RANGE ALARM	ON / OFF
		6.4	LANGUAGE			
		6.5	HS NAME			
		6.6	AUTO ANSWER		ON	
					OFF	
		6.7	BARRING		ON	NUMBER 1 TO 4
					OFF	
		6.8	DATE & TIME		DD / MM / YYYY	
					HH / MM (24hr)	
		6.9	CONTRAST		LEVEL 1 TO 8	
		6.10	SELECT BASE		AUTO	
					BASE 1 TO 4	
		6.11	HS DEFAULT			
7	Registration		BASE 1			
			BASE 2			
			BASE 3			
			BASE 4			

### 3 Call Log

#### 3.1 Navigating the Menu

All call in numbers are shown under [RECEIVED] menu directory. Those numbers are including missed and pick-up calls.

- (1) Use the <▲> or <▼> button scroll through the Call List until the desired number is shown on the display.
- (2) Press the <TALK ON> button. The number will be dialed automatically.

##### 3.1.1 Store a Number from the Received list into the Phone Book Memory

- (1) Scroll through the Call List until the desired number is shown on the display.
- (2) Press the <OK> button and then use the <▲> or <▼> button to select [ADD TO PB ?]
- (3) Press the <OK> button again.
- (4) [NAME ?] will appear and you can add the name by numeric keypad
- (5) Press the <OK> button to save the name.
- (6) The last digit of the telephone number will show again and you can then edit the telephone number.
- (7) Press the <OK> button again to confirm and to go to select ring tone.
- (8) Use the <▲> or <▼> button to select ringtone and press the <OK> button to confirm.
- (9) It will show the phone entry name and back to Received Call list position

##### 3.1.2 Erasing a Number from the Received list

- (1) Scroll through the Call List until the desired number is shown on the display.

- (2) Press the <OK> button and then use the <▲> or <▼> button to select [DELETE ?]
- (3) Press the <OK> button again.
- (4) [CONFIRM ?] will appear
- (5) Press the <OK> button to delete or <ESC> button to back

### **3.1.3 Erasing all Number from the Received list**

- (1) Scroll through the Call List until the desired number is shown on the display.
- (2) Press the <OK> button and then use the <▲> or <▼> button to select [DELETE ALL ?]
- (3) Press the <OK> button again.
- (4) [CONFIRM ?] will appear
- (5) Press the <OK> button to delete or <ESC> button to back

## **3.2 Dialed Call from the Call Log**

All dialed out numbers are shown under [DIALED] menu directory.

- (1) Use the <▲> or <▼> button scroll through the Dialed List until the desired number is shown on the display.
- (2) Press the <TALK ON> button. The number will be dialed automatically.

### **3.2.1 Store a Number from the Dialed list into the Phone Book Memory**

- (1) Scroll through the Call List until the desired number is shown on the display.
- (2) Press the <OK> button and then use the <▲> or <▼> button to select [ADD TO PB ?]
- (3) Press the <OK> button again.
- (4) [NAME ?] will appear and you can add the name by alphanumerical keypad
- (5) Press the <OK> button to save the name.
- (6) The last digit of the telephone number will show again and you can then edit the telephone number.
- (7) Press the <OK> button again to confirm and to go to select ring tone.
- (8) Use the <▲> or <▼> button to select ringtone and press the <OK> button to confirm.
- (9) It will show the phone entry name and back to Received Call list position

### **3.2.2 Erasing a Number from the Dialed list**

- (1) Scroll through the Call List until the desired number is shown on the display.
- (2) Press the <OK> button and then use the <▲> or <▼> button to select [DELETE ?]
- (3) Press the <OK> button again.
- (4) [CONFIRM ?] will appear
- (5) Press the <OK> button to delete or <ESC> button to back

### **3.2.3 Erasing all Number from the Dialed list**

- (1) Scroll through the Call List until the desired number is shown on the display.
- (2) Press the <OK> button and then use the <▲> or <▼> button to select [DELETE ALL ?]
- (3) Press the <OK> button again.
- (4) [CONFIRM ?] will appear
- (5) Press the <OK> button to delete or <ESC> button to back

## **4 PHONE BOOK**

You can create phone book entries in the phone's memory.

## 4.1 Dial a Phone Book Entry

At menu mode :

- (1) Press the <▲> or <▼> button to select [PHONE BOOK] or Press the <Phone book > button once to enter the phone book.
- (2) Press <OK> button and [LIST] will display.
- (3) Enter the first letter of the desired name via the alphanumerical keypad.
- (4) The first name in the list with this letter appears on the display.
- (5) Press the <▲> or <▼> button to search the name you want to dial.
- (6) Press the <TALK ON> button and the number will be dialed automatically.
- (7) Press the <TALK OFF> button when you want to terminate the call.

## 4.2 Add a Phone Book Entry

At menu mode :

- (1) Press the <▲> or <▼> button to select [PHONE BOOK] to enter the phone book edit mode
- (2) Press <OK> button and [NEW ENTRY] will display.
- (3) Press <OK> and enter the name by using the alphanumerical keypad.
- (4) Press the <OK> button to confirm the name.
- (5) Enter the telephone number, and press the <OK> button to confirm.
- (6) Select ringer tone by using the <▲> or <▼> button and press the <OK> button to confirm.

## 4.3 Edit Name or Number

At menu mode :

- (1) Press the <▲> or <▼> button to select [PHONE BOOK] to enter the phone book edit mode
- (2) Press the <▲> or <▼> button to select [EDIT RECORD] and press <OK> button to confirm.
- (3) Press the <▲> or <▼> button to search the name you want to edit.
- (4) Press the <OK> button to enter the phone book menu.
- (5) Delete the characters by the <MUTE> button.
- (6) Use the keypad to enter the new name. Press the <OK> button to confirm.
- (7) Enter/delete the telephone number. Press the <OK> button to confirm.
- (8) Select ringer tone by using the <▲> or <▼> button and press the <OK> button to confirm.

## 4.4 Delete an Entry

At menu mode :

- (1) Press the <▲> or <▼> button to select [PHONE BOOK] to enter the phone book edit mode
- (2) Press the <▲> or <▼> button to select [DEL RECORD].
- (3) Press the <OK> button to enter the phone book list.
- (4) Press the <▲> or <▼> button to search the name you want to delete.
- (5) Press the <OK> button to confirm and the handset will prompt you [CONFIRM ?] to reconfirm the delete function.
- (6) Press the <OK> button to confirm.

## 4.5 Delete all Entry

At menu mode :

- (1) Press the <▲> or <▼> button to select [PHONE BOOK] to enter the phone book edit mode
- (2) Press the <▲> or <▼> button to select [DELETE ALL].
- (3) Press the <OK> button to confirm and the handset will prompt you [CONFIRM ?] to reconfirm the

delete function.

(4) Press the <OK> button to confirm.

## **4.6 Check Memory Status**

It can check how many phone book entries stored in phone memory.

At menu mode :

(1) Press the <▲> or <▼> button to select [PHONE BOOK] to enter the phone book edit mode

(2) Press the <▲> or <▼> button to select [MEM STATUS].

(3) Press the <OK> button to confirm and the handset will prompt you XX/YY. XX is how many phone book entries stored. YY is total number of phone book entries can be store. This number is a fixed number by total usable memory inside the phone.

(4) Press the <OK> button to confirm.

## **5 BASE SETTINGS**

### **5.1 Check Memory Status**

You can remove a handset from a base to allow another handset to be registered.

(1) Press the <MENU> button.

(2) Use the <▲> or <▼> button to scroll to [BS SETTINGS] and press <OK>.

(3) Use the <▲> or <▼> button to scroll to [DELETE HS] and press <OK>.

(4) Enter the PIN code (0000) and press <OK>.

(5) Use the <▲> or <▼> button to scroll to the handset number (1 to 5) you want to remove and press <OK>.

Notice : You can only cancel subscription of another handset, not the handset you are using to do the remove procedure.

### **5.2 Setting the Dialing Mode**

There are two types of dialing mode: DTMF (Tone) and Pulse dialing.

(1) Press the <MENU> button.

(2) Use the <▲> or <▼> button to scroll to [BS SETTINGS] and press <OK>.

(3) Use the <▲> or <▼> button to scroll to [DIAL MODE] and press <OK>.

(4) Use the <▲> or <▼> button to select [TONE] or [PULSE] and press <OK>.

### **5.3 Flash Button (Recall)**

When you press the <R> button during conversation, also called flash or recall, the unit generates a line interruption. It gives you the possibility to use the special services of your telephone provider and/or to transfer calls when you have a telephone exchange.

Setting the Flash Time:

(1) Press the <MENU> button.

(2) Use the <▲> or <▼> button to scroll to [BS SETTINGS] and press <OK>.

(3) Use the <▲> or <▼> button to scroll to [FLASH TIME] and press <OK>.

(4) Use the <▲> or <▼> button to select three values of flash time durations. The unit of flash time value is msec.

(5) Press <OK> to confirm.

## 5.4 Changing the PIN Code (System PIN Code)

Certain functions are only available if you know the PIN code of the base.

The PIN code has 4 digits. The default PIN code setting is '0000'. If you would like to change the PIN code and set your own secret code, do the following:

- (1) Press <MENU> button.
- (2) Use the <UP> or <DOWN> button to scroll to [BS SETTINGS] and press <OK>.
- (3) Use the <UP> or <DOWN> button to scroll to [MODIFY PIN] and press <OK>.
- (4) Enter the old PIN and press <OK>.
- (5) Enter the new PIN and press <OK>.
- (6) Press the new PIN again and press <OK>. If it is successful, it gives a long beep.

### NOTE:

If the wrong PIN code is entered, it will give error beep and ask for input the PIN numbers again.

## 5.5 Set Zero Emission

For DECT system, the base unit should always keep sending a beacon signal to handset unit to make sure its existence. So that it can guarantee base unit can immediately connect to handset unit whenever ring come. This beacon signal is a 1V/m 1.8GHz RF power with 0.5ms for every 10ms. Although the radiation time slot is very small, it still has risk to hazard human health due to 24hours a day in high frequency environment. Right now, DSPG creates a NEMo (No Emission Mode) feature to make real no emission and still can achieve immediate reaction. In other word, when handset in stand-by status, the base unit is no RF emission.

To set the handset to normal DECT system or Zero Emission

- (1) Press the <MENU> button.
- (2) Use the <▲> or <▼> button to scroll to [BS SETTINGS] and press <OK>.
- (3) Use the <▲> or <▼> button to scroll to [NEMO] and press <OK>.
- (4) Use the <▲> or <▼> button to scroll to [ON] and press <OK>.

Notice : It has a drawback on NEMO mode that the handset cannot detect out of range at stand-by status.

## 5.6 RESET OF THE BASE

This will undo all changes and set back all default settings (flash timing, Tone dialing etc.)

- (1) Press the <MENU> button.
- (2) Use the <▲> or <▼> button to scroll to [BS SETTINGS] and press <OK>.
- (3) Use the <▲> or <▼> button to scroll to [BS DEFAULT] and press <OK>.
- (4) Enter the PIN code and press <OK>

## 6 HANDSET SETTINGS

### 6.1 Alarm Function

You can use handset as an alarm clock to wake you up by defined time.

- (1) Press <MENU> button
- (2) Use the <▲> or <▼> button to scroll to [HS SETTINGS] and press <OK>.
- (3) Use the <▲> or <▼> button to scroll to [ALARM] and press <OK>.
- (4) Use the <▲> or <▼> button to scroll to [ON] and press <OK>.



- (5) Use the <▲> or <▼> button to enter hours in 24 hour format and press <OK>.
- (6) Use the <▲> or <▼> button to enter minutes and press <OK>.
- (7) Use the <▲> or <▼> button to turns snooze on or off and press <OK>.

## **6.2 Handset Ringer Tone**

### **6.2.1 Set External Call Ring Tone**

You can change the ringer tone for an incoming call (external)

- (1) Press <MENU> button or press and hold <Ringer> button
- (2) Use the <▲> or <▼> button to scroll to [HS SETTINGS] and press <OK>.
- (3) Use the <▲> or <▼> button to scroll to [RING SETUP] and press <OK>.
- (4) Use the <▲> or <▼> button to scroll to [EXT RING] and press <OK>.
- (5) Select the ringer tone you want, and then press <OK>.

### **6.2.2 Set Intercom Ring Tone**

You can change the ringer tone for Intercom call (internal).

- (1) Press <MENU> button
- (2) Use the <▲> or <▼> button to scroll to [HS SETTINGS] and press <OK>.
- (3) Use the <▲> or <▼> button to scroll to [RING SETUP] and press <OK>.
- (4) Use the <▲> or <▼> button to scroll to [INT RING] and press <OK>.
- (5) Select the ringer tone you want, and then press <OK>.

### **6.2.3 Set Ringer Volume**

You can change the ringer volume for all calls (no individual external and internal volume setting).

- (1) Press <MENU> button or short press <Ringer> button
- (2) Use the <▲> or <▼> button to scroll to [HS SETTINGS] and press <OK>.
- (3) Use the <▲> or <▼> button to scroll to [RING SETUP] and press <OK>.
- (4) Use the <▲> or <▼> button to scroll to [VOLUME] and press <OK>.
- (5) Use the <▲> or <▼> button to select volume value and then press <OK>.

## **6.3 Handset Key Beep**

### **6.3.1 Set Key Tone**

You can set the handset to make a beep whenever you press a key.

- (1) Press <MENU> button.
- (2) Use the <▲> or <▼> button to scroll to [HS SETTINGS] and press <OK>.
- (3) Use the <▲> or <▼> button to scroll to [TONE SETUP] and press <OK>.
- (4) Use the <▲> or <▼> button to scroll to [KEY TONE] and press <OK>.
- (5) Use the <▲> or <▼> button to scroll to [ON] and press <OK>.

### **6.3.2 Set Battery Low Warning Tone**

You can set the handset to play warning beep during battery level is low.

- (1) Press <MENU> button.
- (2) Use the <▲> or <▼> button to scroll to [HS SETTINGS] and press <OK>.
- (3) Use the <▲> or <▼> button to scroll to [TONE SETUP] and press <OK>.
- (4) Use the <▲> or <▼> button to scroll to [BATTERY LOW] and press <OK>.
- (5) Use the <▲> or <▼> button to scroll to [ON] and press <OK>.

### 6.3.3 Set Out of Range Warning Tone

You can set the handset to play warning beep when handset unlinked to base unit.

- (1) Press <MENU> button.
- (2) Use the <▲> or <▼> button to scroll to [HS SETTINGS] and press <OK>.
- (3) Use the <▲> or <▼> button to scroll to [TONE SETUP] and press <OK>.
- (4) Use the <▲> or <▼> button to scroll to [RANGE ALARM] and press <OK>.
- (5) Use the <▲> or <▼> button to scroll to [ON] and press <OK>.

### 6.4 Setting the Language

- (1) Press <MENU> button.
- (2) Use the <▲> or <▼> button to scroll to [HS SETTINGS] and press <OK>.
- (3) Use the <▲> or <▼> button to scroll to [LANGUAGE] and press <OK>.
- (4) Use the <▲> or <▼> button to scroll to the language you want and press <OK>.

### 6.5 Handset Name

You can change the name that appears on the screen during idle stage:

- (1) Press the <MENU> button.
- (2) Use the <▲> or <▼> button to scroll to [HS SETTINGS] and press <OK>.
- (3) Use the <▲> or <▼> button to scroll to [HS NAME] and press <OK>.
- (4) The current handset name is shown. Delete the character by the <MUTE> button.
- (5) Use the keypad to enter the new name.
- (6) Press the <OK> button to confirm.

### 6.6 Auto Answer

You can take a call without pressing the Talk key by just leaving the handset from charge cradle if the Auto Answer set to ON by following procedure

- (1) Press the <MENU> button.
- (2) Use the <▲> or <▼> button to scroll to [HS SETTINGS] and press <OK>.
- (3) Use the <▲> or <▼> button to scroll to [AUTO ANSWER] and press <OK>.
- (4) Use the <▲> or <▼> button to scroll to [ON] and press <OK>.

### 6.7 Call Barring

You can set four sets of numbers which do not allow to dial out at the beginning of telephone numbers. This function is to prevent children or house attendant dial pay calls (eg. Long distance call)

- (1) Press the <MENU> button.
- (2) Use the <▲> or <▼> button to scroll to [HS SETTINGS] and press <OK>.
- (3) Use the <▲> or <▼> button to scroll to [BARRING] and press <OK>.
- (4) Enter four system PIN code and press <OK>
- (5) Use the <▲> or <▼> button to scroll to [ON] and press <OK>.
- (6) Use the <▲> or <▼> button to select which position to store barring numbers (from NUMBER 1 to 4)
- (7) After input maximum 4 digits barring numbers and press <OK>.
- (8) Use the <▲> or <▼> button to select other position to store another barring number or press TALK OFF to finish the setup.

### 6.8 Date Time setting

- (1) Press <MENU> button
- (2) Use the <▲> or <▼> button to scroll to [HS SETTINGS] and press <OK>.
- (2) Use the <▲> or <▼> button to scroll to [DATE & TIME] and press <OK>
- (3) Use the <▲> or <▼> button to set the Year and press <OK>
- (4) Use the <▲> or <▼> button to set the Month and press <OK>
- (5) Use the <▲> or <▼> button to set the Date and press <OK>
- (6) Use the <▲> or <▼> button to set the Hours and press <OK>
- (7) Use the <▲> or <▼> button to set the Minute and press <OK>

## 6.9 Adjust LCD Contrast

You can adjust the LCD contrast to suitable for your viewing angle

- (1) Press <MENU> button
- (2) Use the <▲> or <▼> button to scroll to [HS SETTINGS] and press <OK>
- (3) Use the <▲> or <▼> button to scroll to [CONTRAST] and press <OK>
- (4) Use the <▲> or <▼> button to adjust 8 levels of LCD contrast
- (5) Press <OK> to confirm setting

## 6.10 Manual Selection

If you set the handset to manual selection, the handset will only choose the base unit you have set. Press <MENU> button.

- (1) Use the <▲> or <▼> button to scroll to [HS SETTINGS] and press <OK>
- (2) Use the <▲> or <▼> button to scroll to [SELECT BASE] and press <OK>
- (3) Use the <▲> or <▼> button to select to [AUTO] or [BASE #].
- (4) Select one of the base number to link with and press <OK>
- (5) If you set a base number not yet registered before, it gives an error tone and asking for select another base number.

Notice :

- a) If there is a “ + “ appeared at the right most digit of this base number, it means the handset has already been registered.
- b) When you have activated automatic base selection and the handset is out of range on the current base, the handset will only search for the strongest base in standby (not during communication).
- c) Caution: Before you can select a base unit, the handset must be subscribed to the base first.

## 6.11 RESET OF THE HANDSET

This will undo all changes and set back all default settings (ringer volume, ringer tone etc.)

- (1) Press the <MENU> button.
- (2) Use the <▲> or <▼> button to scroll to [HS SETTINGS] and press <OK>.
- (3) Use the <▲> or <▼> button to scroll to [HS DEFAULT] and press <OK>.
- (4) Enter the PIN code and press <OK>

## 7 REGISTER HANDSET

You can subscribe 5 handsets to 1 base unit. By default, each handset is subscribed as handset 1 on the base unit upon delivery (base unit 1).

You only need to subscribe the handset if:

- The handset subscription has been removed from the base unit (e.g., for re-initialization).
- You want to subscribe a different handset to this base unit.

If your base unit has the PAGE button option:

- Press and hold the <PAGE> button on base for **10** seconds.
- The base unit will be in registration mode for **3** minutes.

If your base unit does not has the PAGE button option:

- Reset the base power and the base will be in registration mode for **3** minute.

You must do the following to subscribe the handset:

- (1) Press <MENU> button
- (2) Use the <▲> or <▼> button to scroll to [REGISTRATION] and press <OK>.
- (3) Use the <▲> or <▼> button to select the number of the base unit you would like to subscribe the handset to (**1 - 4**) and press <OK>
- (4) Enter the base PIN code (0000) and press <OK>.
- (5) The unit will start searching for the base
- (6) When the handset is registered, it will show [HS] followed by the handset number

## **8 Telephony Operations**

### **8.1 Make a Phone Call**

- (1) Press <TALK ON> button. You will hear the dial tone.
- (2) Enter the desired telephone number.
- (3) Press the <TALK OFF> button when you want to terminate the call.

### **8.2 Call Setup with Dial Preparation**

- (1) Enter the desired telephone number. An incorrect number can be corrected by means of the <MUTE> key.
- (2) Press the <TALK ON> button. The number will be dialed automatically.
- (3) Press the <TALK OFF> button when you want to terminate the call.

**NOTE:** When you haven't pressed a button for **10** seconds, the number you've already entered will disappear and the handset returns to standby mode.

### **8.3 Redial the Last Number Dialed – in Talk Mode**

Your cordless handset stores the last external numbers dialed, into memory buffer.

- (1) Press <TALK ON> button. You will hear the dial tone.
- (2) Press the <LNR> key. The number you last called is dialed automatically

### **8.4 Redial One of the Last Numbers Dialed – in Standby Mode**

- (1) Press the <LNR> button. The number you last called appears on the display.
- (2) If you would like to dial one of the last numbers dialed, press the <▲> or <▼> button to select the desired number appears on the display.
- (3) Press the <TALK ON> button, the number shown on the display is dialed automatically.
- (4) After finishing your call, press the <TALK OFF> button to hang up.

## 8.5 Incoming Calls

- (1) When a call comes in, the handset will start to ring.
- (2) Press the <TALK ON> button to answer the incoming call.

## 8.6 Hands free Function

This function allows you to communicate without having to pick up the handset.

- (1) When you are on the phone, press the <SPK> key to activate the hands-free function.
- (2) Press the same button to deactivate the hands-free function

## 8.7 Mute Function

It is possible to deactivate the microphone during a conversation. Now you can speak openly without being heard by your correspondent.

- (1) Press the <MUTE> button during a conversation. The microphone will be deactivated. The [MUTE ON] icon appears on the display.
- (2) Press the <MUTE> button again when you want to continue the conversation.

## 8.8 Setting the Volume

During a conversation you can set the volume alternatively in between (1 to 5):

- (1) Press <M> button once
- (2) Use the <▲> or <▼> key in change the volume level

When you are calling in Handsfree mode and you want to change the volume, press <M> button first and then press <▲> or <▼> button.

## 8.9 Setting the Pause

If you wish to insert a pause, press the <PAUSE> button on the location where you want a pause of 3 seconds.

## 8.10 Receive second call (call waiting) – user needs to acquire this service from telephony service company

During you are on talking mode, if another call comes in, you can hear beep sound generated from background. If you wish to take the new call press the <R> button (same as OK key), then it will swap to second caller and first caller will be on hold until you press the <R> key again.

## 9 Other Features

### 9.1 Handset Key Lock

When the keypad is locked, pressing any key will have no effect during standby (except holding the <# / LOCK> key).

- (1) Press and hold the <# / LOCK> button. [HS LOCKED] appears on the display and the keypad is locked.
- (2) Press and hold the <# / LOCK> key again to un-lock the keypad.

#### NOTE:

When there is an incoming call, you can still answer the call by pressing the <TALK ON> key.

During the call, the keypad functions as normal. When the call is ended, the keypad will be locked again.

## 9.2 Call Transfer and Conference Call during an External Call

- (1) During an external call, press the <INT> button followed by the number (1 to 5) of the other handset.
- (2) The other handset will start to ring.
  - When the other handset takes the line you can talk internally.
  - If you hang up, the external line will be connected with the other handset.
  - If you press and hold the <\*> button for 2 seconds you can talk with the 2nd handset and external line at the same time (conference call).
  - Or press the <\*> button again to return to the external call.
  - Press the <TALK OFF> button to end the call.

## 9.3 Internal Call (Intercom)

- (1) In standby press the <INT> button followed by the number (1 to 5) of the other handset.
- (2) The other handset will start to ring. You can stop the ringing by pressing the <TALK OFF> or the <INT> button.
- (3) If the other handset answers the call by pressing the <TALK ON> you can talk internally.
- (4) Press the <TALK OFF> to end the call.

## 9.4 Receiving an External Call during an Internal Call

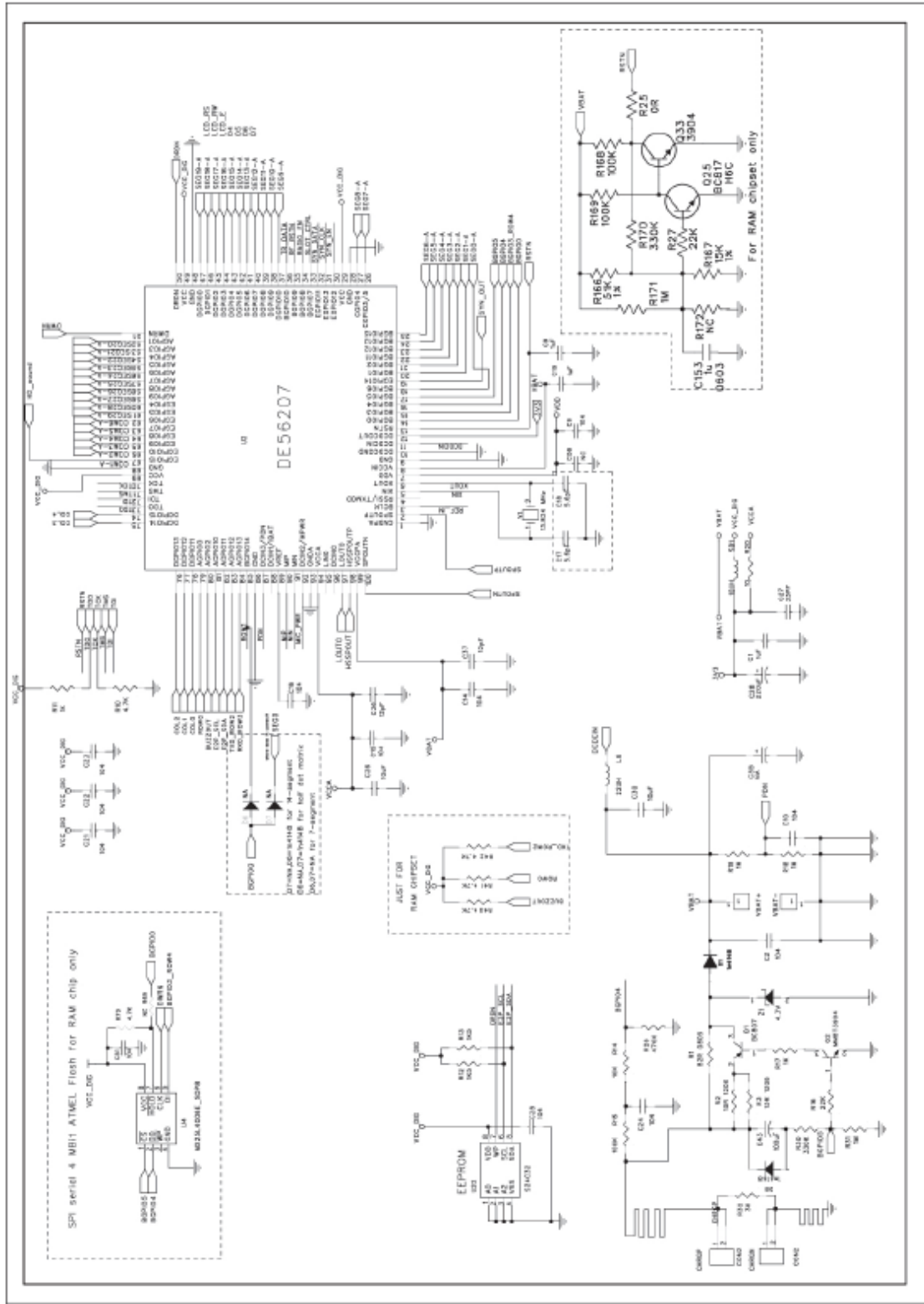
If you receive an external call during an internal call, you will hear a call waiting tone (double beep) on both handsets being used for an internal call.

- (1) Press the <TALK OFF> key to end the internal call.
- (2) Press the <TALK ON> key to accept the external call.
- (3) After finishing your call, press the <TALK OFF> key to hang up.

## 10 Specification

Talking Range	Outdoor 300 m
Base Low Radiation	If Single handset : <input checked="" type="checkbox"/> Yes <input checked="" type="checkbox"/> No If Multi-handset or Zero Emission : Not Available
Power Saving Mode	Yes
Battery Capacity	400mA
Operating Time (Stand-by and Talk) by using 400mAh battery capacity	Talk time : 7 hr Stand-by time : 72 hr
LCD Type	12 digits 14-segment + 1 line icons (VA 32 x 18 mm)
Battery Low Warning Beep	Yes
Phonebook Entries	50 entries (12 characters, 20 digits)
Redial Memory	10 LNR Memory (24 digits)
Caller ID Log	29 records (12 characters, 20 digits)
Tone / Pulse Dialing	<input checked="" type="checkbox"/> Tone/Pulse Menu Selectable, Default : Tone

# 11 Handset Diagram



# 12 Base Diagram

